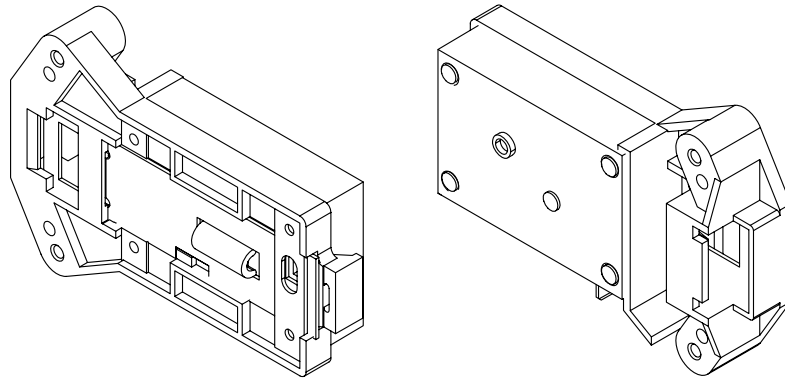


TEKNIC


DOOR LOCK SWITCH DLS99

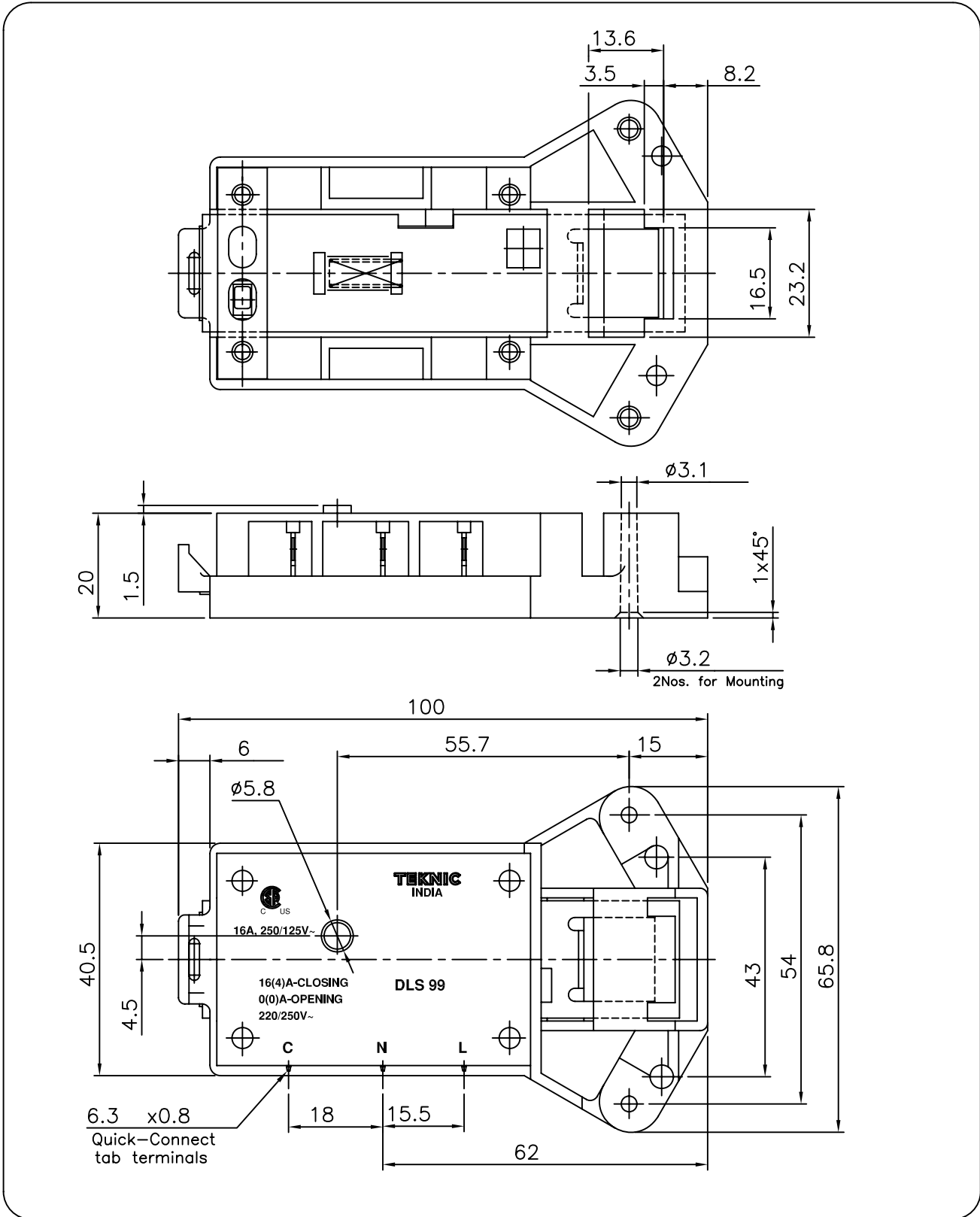


TEKNIC : Door interlock switch is a combination of mechanical components actuated by a Bimetal Snap Disc which is heated to its required snapping temperature by a PTC Thermistor, built-in the device, as soon as supply voltage is applied to the device. Advantage is taken of the mechanical movement provided by the Snap Disc to obtain locking of any door latch, as long as the electric supply is maintained.

On withdrawal of supply the Snap Disc cools and snaps back, to release the latch, and permit opening of the door, after a certain lapse of time. This interlocking feature of the switch is ideal for any application where the equipment or appliance door needs to be locked when supply is switched on and can be opened only when the supply is withdrawn after a certain period of time.

TECHNICAL DATA :

RATING	: 16(4)A, 250V AC
INITIAL INSULATION RESISTANCE	: ≥ 100 MEGAOHMS
INITIAL CONTACT RESISTANCE	: ≤ 10 MILLIOHMS
FINAL ELECTRIC STRENGTH	: CAN WITHSTAND 2KV, FOR 1 MINUTE.
MAXIMUM AMB TEMPERATURE	: 85°C
LOCKING TIME	: ≤ 6 SEC.
UN-LOCKING TIME	: 60-120 SEC.
ELECTRICAL ENDURANCE	: 10,000 CYCLES
CASE MATERIAL	: HOUSING, COVER & LATCH-PBT
TERMINAL MATERIAL	: BRASS/COPPER-SILVER PLATED
CONTACT MATERIAL	: Ag. Ni. (10%) (SILVER PLATED)
REFERANCE STANDARDS	: EN 61058-1, CSA C22.2
PROTECTION AGAINST ELECTRIC SHOCK	: CLASS II APPLIANCES (Ref. EN 61058-1)
GLOW WIRE TEST	: LEVEL 'C', 850°C (Ref. EN 61058-1)
DEGREE OF POLLUTION	: NORMAL (Ref. EN 61058-1)
PROOF OF TRACKING INDEX	: PTI 250V (Ref. EN 61058-1)
APPROVALS	: 



For further details, please write to:

TEKNIC ELECTROMECONICS PVT. LTD.

Regd. : 36, SNS Chambers, 239, Sankey Road, Bangaluru-560 080
 Office Tel. 0091-80-23617867, 23619348. Fax. 0091-80-23618607,
 E-mail : venkatesh@teknicelectromeconics.co.in

Website: www.teknincindia.com

Factory : 93, Electronic city Phase 1, 5th cross, Hosur Road, Bangaluru-560 100
 Tel. 0091-80-28522716, 2820389, 28520714. Fax. 0091-80-28520254.
 E-mail : tepl_wks@teknico.in & planning@teknicelectromeconics.co.in

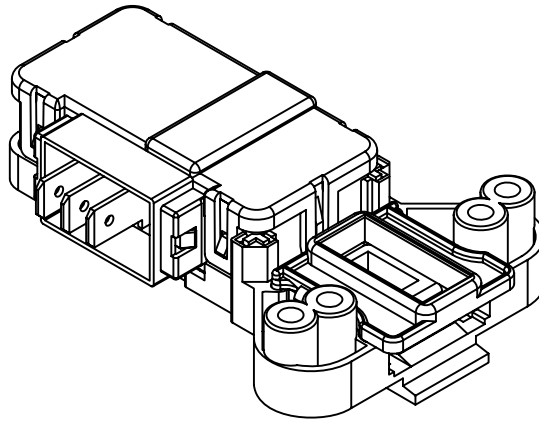
Head : 703, Madhava, Bandra Kurla Complex, Bandra(East), Mumbai - 400 051.
 Office Tel. 0091-22-42532500. Fax. 0091-22-26592391
 Email : teknic@vsnl.com

Website: www.teknico.in

FM/MT:14 REV.: F

TEKNIC

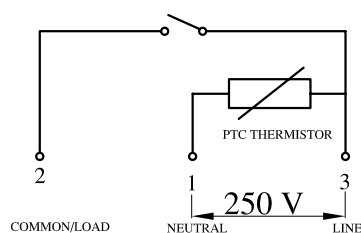
DOOR LOCK SWITCH DLS 100



Door lock switch DLS 100 is a combination of mechanical components actuated by a bimetal which is heated to its required deflection temperature by a PTC Thermistor, built-in the device, as soon as supply voltage is applied to the device. Advantage is taken of the mechanical movement provided by the bimetal to obtain locking of door latch, as long as the electric supply is maintained.

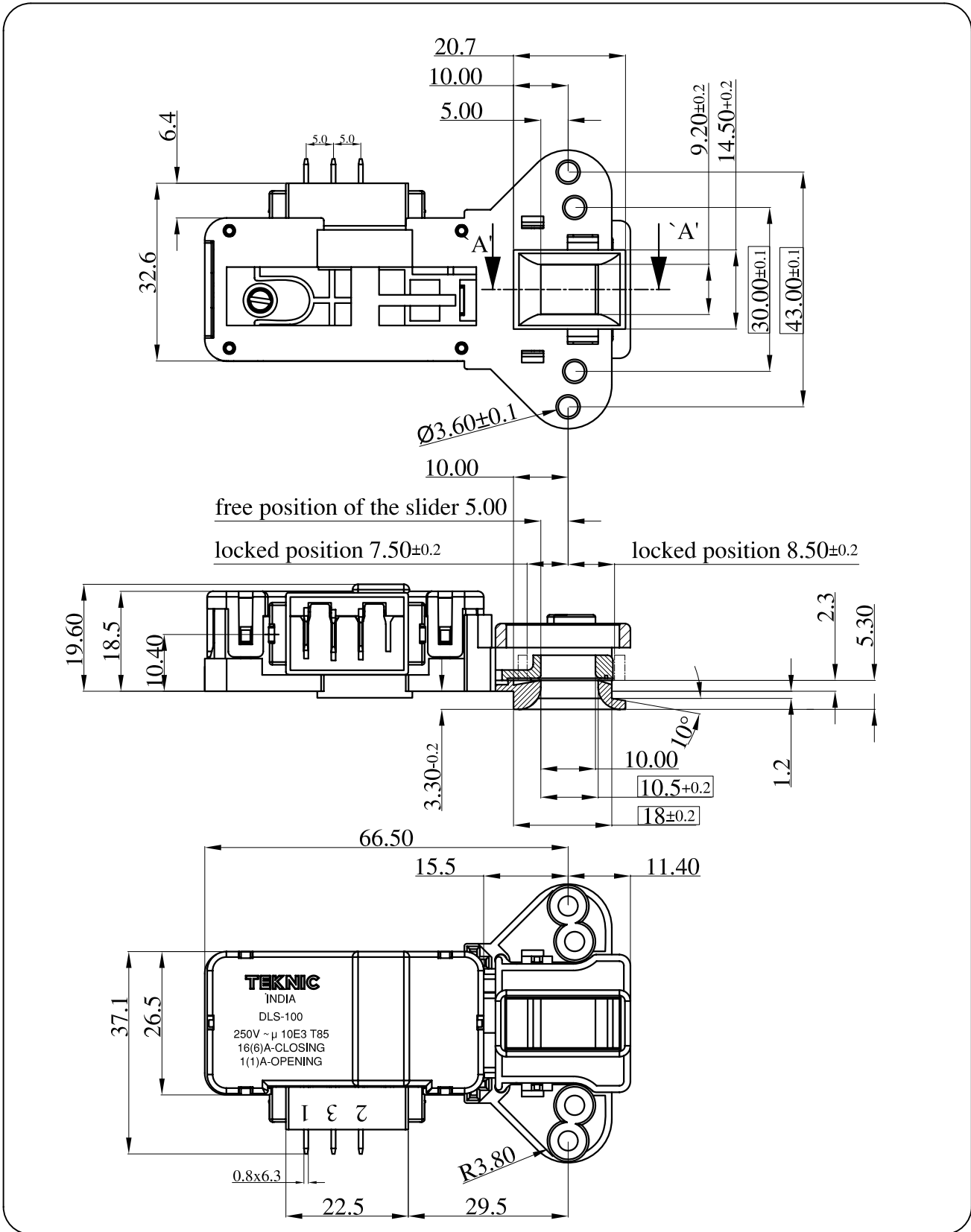
On withdrawal of supply the bimetal cools to its original position, to release the latch, and permit opening of the door, after a certain delay time. This locking feature of the switch is ideal for any application where the equipment or appliance door needs to be locked when supply is switched on and can be opened only when the supply is withdrawn after a certain period of time.

CIRCUIT DIAGRAM



TECHNICAL DATA :

RATING	: 16(6)A, 250V AC closing
INITIAL INSULATION RESISTANCE OF 500V DC FOR 1 MINUTE	: \geq 100 MEG OHMS
DI-ELECTRIC STRENGTH	: 1500V AC FOR 1 MINUTE.
MAXIMUM AMB. TEMPERATURE	: 85°C
LOCKING TIME AT 23°C AMBIENT	: MIN. 2 SEC, MAX. 8 SEC.
UN-LOCKING TIME AT 23°C AMBIENT AFTER 60 SEC. SOAKING TIME.	: 30-90 SEC.
LIFE ENDURANCE	: 10,000 CYCLES
HOUSING, COVER, LATCH & TERMINAL GUIDE MATERIAL	: UL 94 V0 FLAMMABILITY CLASS THERMOPLASTIC.
TERMINAL MATERIAL	: BRASS
CONTACT MATERIAL	: Ag ALLOY.
REFERENCE STANDARDS	: CSA C22.2 #55, EN 61058-1
PROTECTION AGAINST ELECTRIC SHOCK	: CLASS II APPLIANCES (Ref. EN 61058-1)
GLOW WIRE RATING OF CURRENT CARRYING / SUPPORTING PARTS	: LEVEL 'C', 850°C (Ref. EN 61058-1)
DEGREE OF POLLUTION	: NORMAL (Ref. EN 61058-1)
PROOF OF TRACKING INDEX	: PTI 250V (Ref. EN 61058-1)
RoHS COMPLIANT	: YES
WEIGHT	: 28 gms



For further details, please write to:

TEKNIC ELECTROMECONICS PVT. LTD.

Regd. : 36, SNS Chambers, 239, Sankey Road, Bangaluru-560 080

Office Tel. 0091-80-23617867, 23619348. Fax. 0091-80-23618607,

E-mail : venkatesh@teknicelectromeconics.co.in

Website: www.teknicelectromeconics.co.in

Factory : 93, Electronic city Phase 1, 5th cross, Hosur Road, Bangaluru-560 100

Tel. 0091-80-28522716, 2820389, 28520714. Fax. 0091-80-28520254.

E-mail : tepl_wks@teknicelectromeconics.co.in & planning@teknicelectromeconics.co.in

Head : 703, Madhava, Bandra Kurla Complex, Bandra(East), Mumbai - 400 051.

Office Tel. 0091-22-42532500. Fax. 0091-22-26592391

Email : teknicelectromeconics@vsnl.com

Website: www.teknicelectromeconics.co.in