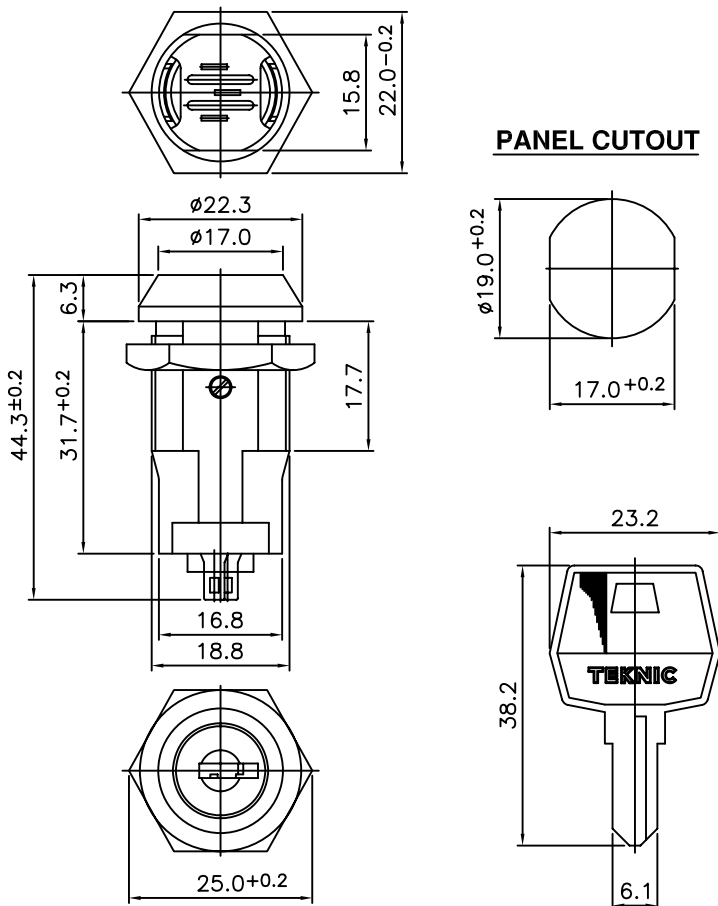
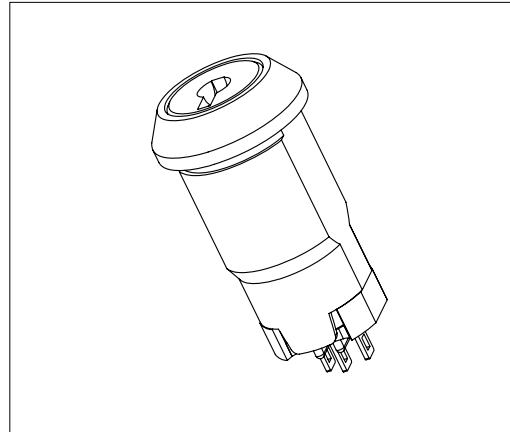


TEKNIC

KEY SWITCH KS-01



Key switch KS01 is a control switch developed for use in applications where proper authorisation is necessary to actuate the controls.



TECHNICAL DATA :

FUNCTION	: SPDT
RATING	: 2A, 250V~
ELECTRICAL ENDURANCE	: 6,000 CYCLES AS PER CSA-C22.2 No.55 10,000 CYCLES AS PER EN61058-1
INITIAL INSULATION RESISTANCE	: > 100 M Ω
INITIAL CONTACT RESISTANCE	: < 10 M Ω
DI-ELECTRIC STRENGTH	: 1500 V AC FOR 1 MINUTE
SWITCH HOUSING MATERIAL	: NYLON 66
CONTACT MATERIAL	: SILVER ALLOY
TERMINAL MATERIAL	: COPPER
FIXING	: BY A NUT
OPERATING TEMPERATURE	: T85
REFERENCE STANDARDS	: CSA-C22.2 No.55 EN61058-1
DEGREE OF PROTECTION	: IP 40
PROTECTION AGAINST ELECTRIC SHOCK	: CLASS II APPLIANCES (Ref. EN61058-1)
GLOW WIRE TEST	: LEVEL 'C', 650°C (Ref. EN61058-1)
DEGREE OF POLLUTION	: NORMAL (Ref. EN61058-1)
PROOF OF TRACKING INDEX	: PTI 175V (Ref. EN61058-1)
APPROVALS	:

ORDERING CODE :

KS01	U	48
BASIC SWITCH TYPE	KEY REMOVABLE POSITION	KEY COMBINATIONS
	A--ACTUATED POSITION	48 KEYS
	U--UNACTUATED POSITION ONLY	96 KEYS
	B--BOTH POSITION	COMMON KEY

For further details, please write to:

TEKNIC ELECTROMECONICS PVT. LTD.

Regd. : 36, SNS Chambers, 239, Sankey Road, Bangaluru-560 080
 Office Tel. 0091-80-23617867, 23619348. Fax. 0091-80-23618607,
 E-mail : venkatesh@teknicelectromeconics.co.in
 Website: www.teknicelectromeconics.com
 Factory : 93, Electronic city Phase 1, 5th cross, Hosur Road, Bangaluru-560 100
 Tel. 0091-80-28522716, 2820389, 28520714. Fax. 0091-80-28520254.
 E-mail : tep_lwks@teknicelectromeconics.co.in & planning@teknicelectromeconics.co.in
 Head : 703, Madhava, Bandra Kurla Complex, Bandra(East), Mumbai - 400 051.
 Office Tel. 0091-22-42532500. Fax. 0091-22-26592391
 Email : teknicelectromeconics@vsnl.com
 Website: www.teknicelectromeconics.co.in

WE RESERVE THE RIGHT TO UPGRADE SPECIFICATIONS FOR IMPROVEMENTS WITHOUT ANY PRIOR NOTICE. All dimensions are in 'mm'