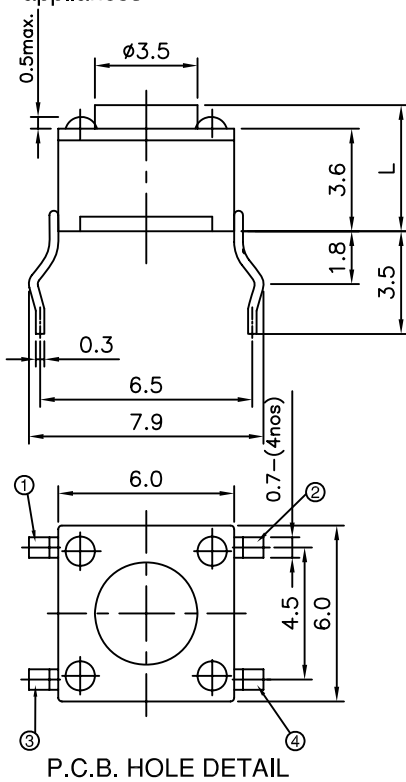


TEKNIC

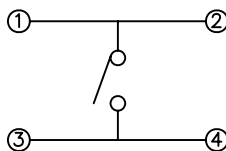
TACT SWITCH TS-06



Tact Switch type TS-06 is a switch used as a control switch for use in electrical, electronic equipment and appliances .

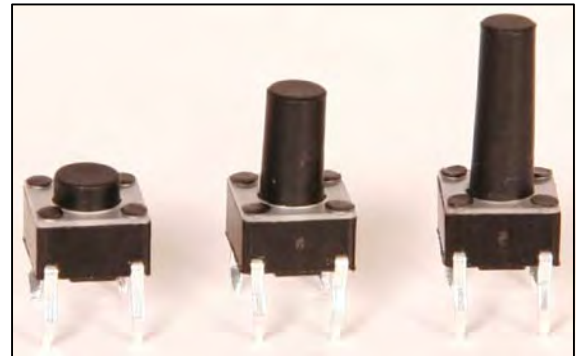


Circuit Diagram



SWITCH HEIGHT

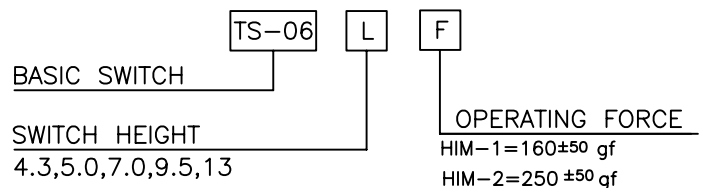
MODEL	L
0643	4.3
0650	5.0
0670	7.0
0695	9.5
0613	13



TECHNICAL DATA :

RATING	: 12 V DC 50mA
TRAVEL	: 0.25 +0.2/-0.1mm
OPERATING TEMPERATURE	: -20°C to +70°C
STORAGE TEMPERATURE	: -30°C to +80°C
INITIAL CONTACT RESISTANCE	: < 100 MILLIOHMS max.
DI-ELECTRIC STRENGTH ACROSS TERMINALS & FRAME	: 250 V AC (50Hz or 60Hz) FOR 1 MINUTE
INSULATION RESISTANCE ACROSS TERMINALS & FRAME FOR 1 MINUTE @ 100V DC	: 100 MEGOHMS min.
OPERATING LIFE DC 5V 5mA RESISTIVE LOAD	: 100,000 CYCLES
CASE & STEM MATERIAL	: NYLON 66
TERMINALS	: SILVER PLATED BRASS
CONTACT MATERIAL	: PHOSPHOR BRONZE WITH Ag. CLAD
SOLDER HEAT RESISTANCE FOR AUTO SOLDERING	: 255°C max. FOR 5 SEC. max.
FOR MANUAL SOLDERING WITH SOLDERING IRON	: 280°C max. FOR 3 SEC. max.
RECOMENDED PCB THICKNESS	: 1.6mm

ORDERING EXAMPLE :



NOTE : STORAGE CONDITION

1. AVOID UNPACKING OF THE SWITCHES DURING STORAGE & TRANSPORTATION.
2. STORE AT ROOM TEMPERATURE & HUMUDITY, WITHOUT DIRECT SUNSHINE & CORROSIVE ENVIRONMENT. USE THEM AT AN EARLIEST POSSIBLE TIMING , GENERALLY WITHIN 3 MONTHS,OR NOT LATER THAN SIX MONTHS AFTER DELIVERY.
3. AFTER OPENING THE SWITCHES FROM PACKED BOX /BAG ,KEEP THE SWITCH IN A PLASTIC BAG /BOX TO PREVENT OUT AMBIENT AIR , STORE THEM IN THE SAME ENVIRONMENT AS ABOVE , AND USE ALL AS SOON AS POSSIBLE.

For further details, please write to:

TEKNIC ELECTROMECONICS PVT. LTD.

Regd. : 36, SNS Chambers, 239, Sankey Road, Bangaluru-560 080
Office Tel. 0091-80-23617867, 23619348. Fax. 0091-80-23618607,
E-mail : venkatesh@teknicelectromeconics.co.in

Website: www.teknicelectromeconics.com

Factory : 93, Electronic city Phase 1, 5th cross, Hosur Road, Bangaluru-560 100
Tel. 0091-80-28522716,2820389, 28520714. Fax. 0091-80-28520254.
E-mail : tep_l_wks@teknicelectromeconics.co.in & planning@teknicelectromeconics.co.in

Head : 703, Madhava, Bandra Kurla Complex, Bandra(East), Mumbai - 400 051.
Office Tel. 0091-22-42532500. Fax. 0091-22-26592391
Email : teknicelectromeconics@vsnl.com

Website: www.teknicelectromeconics.com

WE RESERVE THE RIGHT TO UPGRADE SPECIFICATIONS FOR IMPROVEMENTS WITHOUT ANY PRIOR NOTICE.

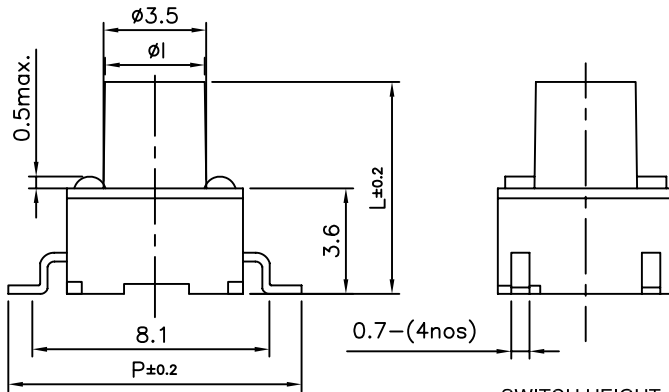
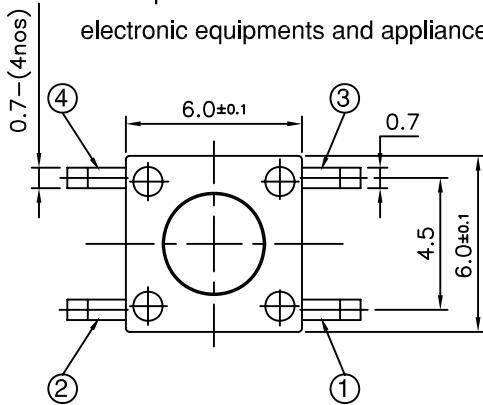
All dimensions are in 'mm'

TEKNIC

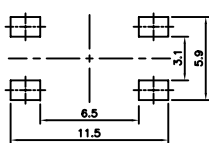
TACT SWITCH TS-06S



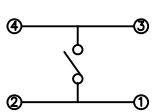
Tact switch TS-06S is a surface mount device developed as a control switch for use in electrical, electronic equipments and appliances .



P.C.B. LAND DIMENSIONS



CIRCUIT DIAGRAM

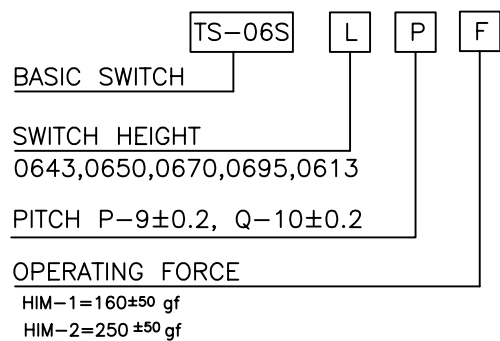


CODE	L
0643	4.3
0650	5.0
0670	7.0
0695	9.5
0613	13

TECHNICAL DATA :

RATING	: 12 V DC 50mA
TRAVEL	: 0.25 +0.2/-0.1mm
OPERATING TEMPERATURE	: -20°C to +70°C
STORAGE TEMPERATURE	: -30°C to +80°C
INITIAL CONTACT RESISTANCE	: < 100 MILLIOHMS max.
DI-ELECTRIC STRENGTH ACROSS TERMINALS & FRAME	: 250 V AC (50Hz or 60Hz) FOR 1 MINUTE
INSULATION RESISTANCE ACROSS TERMINALS & FRAME FOR 1 MINUTE @ 100V DC	: 100 MEGOHMS min.
OPERATING LIFE DC 5V 5mA RESISTIVE LOAD	: 100,000 CYCLES
CASE & STEM MATERIAL	: NYLON 66
TERMINALS	: SILVER PLATED BRASS
CONTACT MATERIAL	: PHOSPHOR BRONZE WITH Ag. CLAD
SOLDER HEAT RESISTANCE FOR AUTO SOLDERING	: 255°C max. FOR 5 SEC. max.
FOR MANUAL SOLDERING WITH SOLDERING IRON	: 280°C max. FOR 3 SEC. max.
RECOMENDED PCB THICKNESS	: 1.6mm

ORDERING CODE



NOTE : STORAGE CONDITION

1. AVOID UNPACKING OF THE SWITCHES DURING STORAGE & TRANSPORTATION.
2. STORE AT ROOM TEMPERATURE & HUMUDITY, WITHOUT DIRECT SUNSHINE & CORROSIVE ENVIRONMENT. USE THEM AT AN EARLIEST POSSIBLE TIMING , GENERALLY WITHIN 3 MONTHS,OR NOT LATER THAN SIX MONTHS AFTER DELIVERY.
3. AFTER OPENING THE SWITCHES FROM PACKED BOX /BAG ,KEEP THE SWITCH IN A PLASTIC BAG /BOX TO PREVENT OUT AMBIENT AIR , STORE THEM IN THE SAME ENVIRONMENT AS ABOVE , AND USE ALL AS SOON AS POSSIBLE.

For further details, please write to:

TEKNIC ELECTROMECONICS PVT. LTD.

Regd. : 36, SNS Chambers, 239, Sankey Road, Bangaluru-560 080
Office Tel. 0091-80-23617867, 23619348. Fax. 0091-80-23618607,
E-mail : venkatesh@teknicelectromeconics.co.in

Website: www.teknicingdia.com

Factory : 93, Electronic city Phase 1, 5th cross, Hosur Road, Bangaluru-560 100
Tel. 0091-80-28522716,2820389, 28520714. Fax. 0091-80-28520254.
E-mail : tep_wks@teknico.in & planning@teknicelectromeconics.co.in

Head : 703, Madhava, Bandra Kurla Complex, Bandra(East), Mumbai - 400 051.
Office Tel. 0091-22-42532500. Fax. 0091-22-26592391
Email : teknic@vsnl.com

Website: www.teknico.in

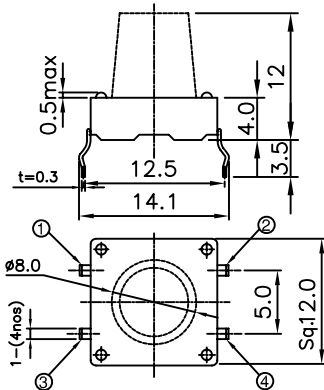
TEKNIC

TACT SWITCH TS-12

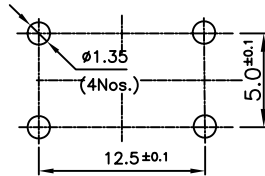


Tact Switch type TS-12 is a switch used as a control switch for use in electrical, electronic equipment and appliances .

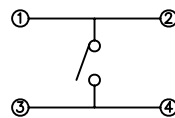
BASIC SWITCH



P.C.B. HOLE DETAIL

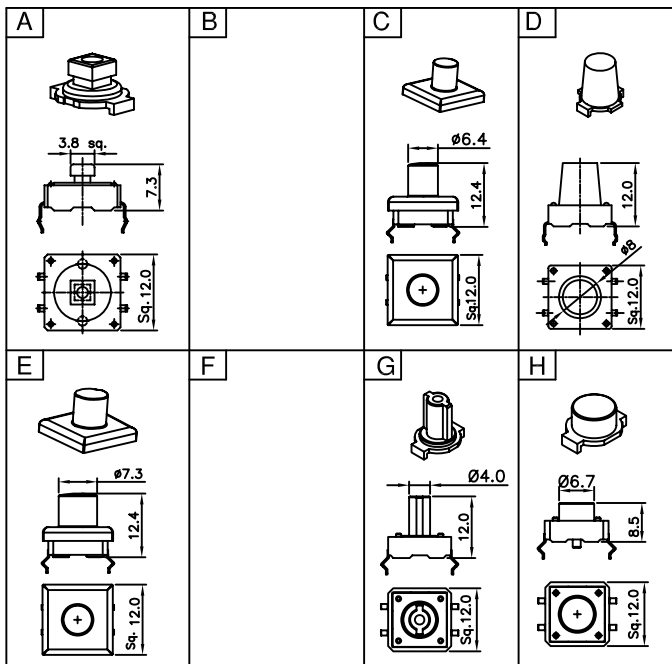


Circuit Diagram

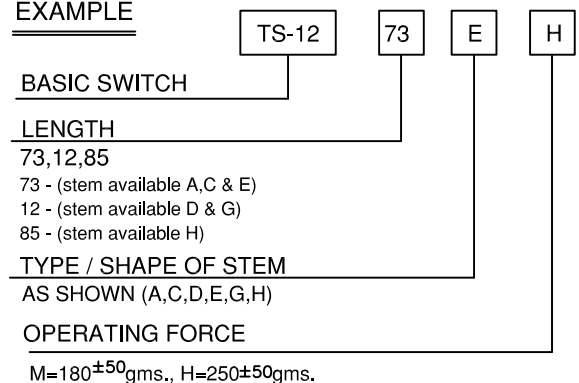


TECHNICAL DATA :

RATING	: 12 V DC 50mA
TRAVEL	: 0.25 +0.2/-0.1mm
OPERATING TEMPERATURE	: -20°C to +70°C
STORAGE TEMPERATURE	: -30°C to +80°C
INITIAL CONTACT RESISTANCE	: < 100 MILLIOHMS max.
DI-ELECTRIC STRENGTH ACROSS TERMINALS & FRAME	: 250 V AC (50Hz or 60Hz) FOR 1 MINUTE
INSULATION RESISTANCE ACROSS TERMINALS & FRAME FOR 1 MINUTE @ 100V DC	: 100 MEGOHMS min.
OPERATING LIFE DC 5V 5mA RESISTIVE LOAD	: 100,000 CYCLES
CASE & STEM MATERIAL	: NYLON 66
TERMINALS	: SILVER PLATED BRASS
CONTACT MATERIAL	: PHOSPHOR BRONZE WITH Ag. CLAD
SOLDER HEAT RESISTANCE FOR AUTO SOLDERING	: 255°C max. FOR 5 SEC. max.
FOR MANUAL SOLDERING WITH SOLDERING IRON	: 280°C max. FOR 3 SEC. max.
RECOMENDED PCB THICKNESS	: 1.6mm



EXAMPLE



NOTE : STORAGE CONDITION

1. AVOID UNPACKING OF THE SWITCHES DURING STORAGE & TRANSPORTATION.
2. STORE AT ROOM TEMPERATURE & HUMUDITY, WITHOUT DIRECT SUNSHINE & CORROSIVE ENVIRONMENT. USE THEM AT AN EARLIEST POSSIBLE TIMING , GENERALLY WITHIN 3 MONTHS,OR NOT LATER THAN SIX MONTHS AFTER DELIVERY.
3. AFTER OPENING THE SWITCHES FROM PACKED BOX /BAG ,KEEP THE SWITCH IN A PLASTIC BAG /BOX TO PREVENT OUT AMBIENT AIR , STORE THEM IN THE SAME ENVIRONMENT AS ABOVE , AND USE ALL AS SOON AS POSSIBLE.

For further details, please write to:

TEKNIC ELECTROMECONICS PVT. LTD.

Regd. : 36, SNS Chambers, 239, Sankey Road, Bangaluru-560 080
 Office Tel. 0091-80-23617867, 23619348. Fax. 0091-80-23618607,
 E-mail : venkatesh@teknicelectromeconics.co.in
 Website: www.teknincindia.com
 Factory : 93, Electronic city Phase 1, 5th cross, Hosur Road, Bangaluru-560 100
 Tel. 0091-80-28522716,2820389, 28520714. Fax. 0091-80-28520254.
 E-mail : tepl_wks@teknico.in & planning@teknicelectromeconics.co.in
 Head : 703, Madhava, Bandra Kurla Complex, Bandra(East), Mumbai - 400 051.
 Office Tel. 0091-22-42532500. Fax. 0091-22-26592391
 Email : teknico@vsnl.com
 Website: www.teknico.co.in